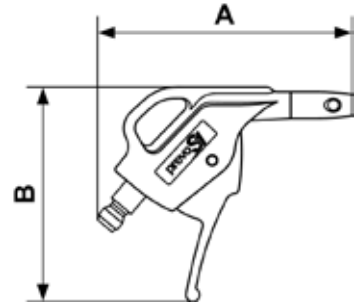


PREVOS1 BLOW GUNS ON CLIP - AUTOMOTIVE PROFILE - 1/4

prevoS1 blow gun with OSHA nozzle

Profile : TRUFLATE



Blowing force	Dynamic pressure	Max. operating pressure	ID passage
9 OZF	17.5 psi	174 psi	1/4"

Part number	Flow rate at 87 psi (CFM)	Sound level (dBA)	Length (ft)	ID passage (inch)	Net weight (Kg)	Dim. A (inch)	Dim. B (inch)
UBG 06OSHP	8	87	0.164	1/4"	0,077	4.53	3.82